

## Low Profile Single Point Load Cell



### DESCRIPTION

Model 1030 is a single point load cell designed for direct mounting of low cost, low capacity weighing platforms.

Its use in relatively large platforms, combined with high accuracy and low cost, makes this load cell ideally suited for a wide range of weighing applications, including bench scales, laboratory, money counting and process weighing.

A special humidity resistant protective coating is available as an option which assures long term reliability.

Model 1030's built in overload stop can provide mechanical protection against overloading.

The two additional sense wires feed back the voltage reaching the load cell. Complete compensation of changes in lead resistance due to temperature change and/or cable extension, is achieved by feeding this voltage into the appropriate electronics.

### FEATURES

- Capacity range: 2 - 15kg
- Aluminum construction
- Single point 350 x 350mm platform
- OIML R60
- IP65 protection
- Available with metric and UNC threads

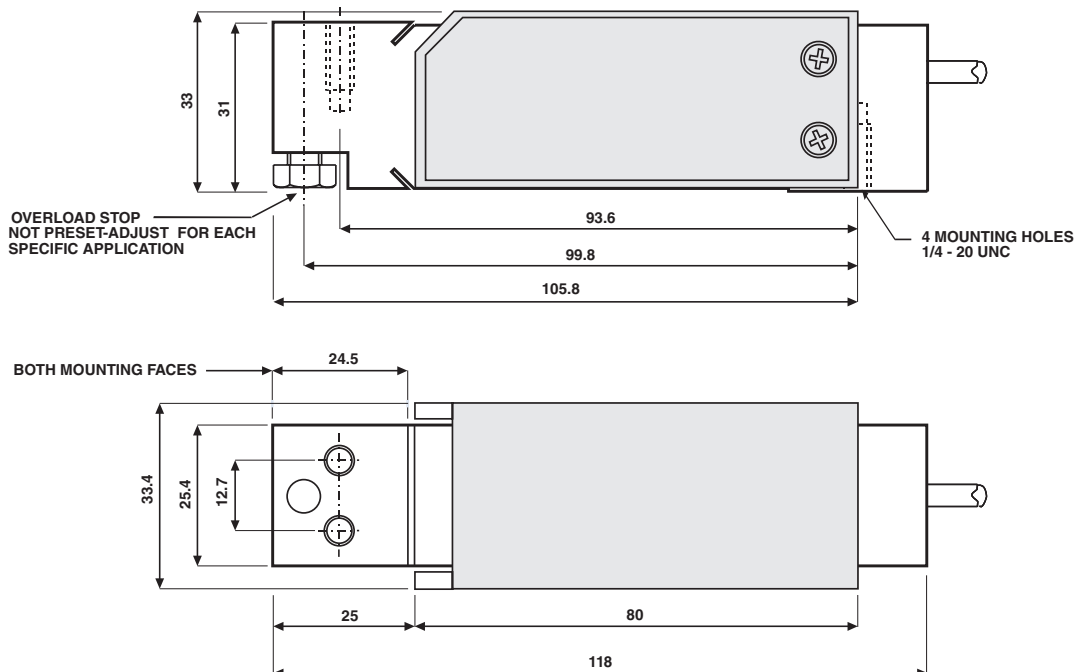
### OPTIONAL FEATURES

- EEx ia IIC T4 hazardous area approval
- FM approval available
- IP67 protection available

### APPLICATIONS

- Bench scales
- Counting scales
- Grocery scales

### OUTLINE DIMENSIONS in millimeters

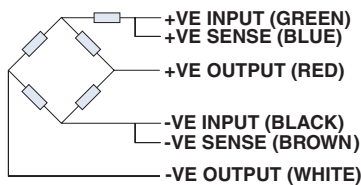


<b>SPECIFICATIONS</b>			
<b>PARAMETER</b>	<b>VALUE (1)</b>		<b>UNIT</b>
OIML Accuracy class	Non-Approved	C2.5	
Maximum no. of intervals (n)	1000	2500	
$Y = E_{max}/V_{min}$	3333	7000	
Rated capacity-R.C. ( $E_{max}$ )	2 (2), 3, 5, 7, 10, 15		kg
Rated output-R.O.	2.0		mV/V
Rated output tolerance	0.2		±mV/V
Zero balance	0.2		±mV/V
Zero Return, 30 min.	0.0300	0.0170	±% of applied load
Total Error	0.0500	0.0200	±% of rated output
Temperature effect on zero	0.0100	0.0040	±% of rated output/°C
Temperature effect on output	0.0030	0.0010	±% of applied load/°C
Eccentric loading error	0.0085	0.0057	±% of rated load/cm
Temp. range, compensated	-10 to +40		°C
Temp. range, safe	-20 to +70		°C
Maximum safe central overload	150		% of R.C.
Ultimate central overload	300		% of R.C.
Excitation, recommended	10		Vdc or Vac rms
Excitation, maximum	15		Vdc or Vac rms
Input impedance	415±15		Ohms
Output impedance	350±3		Ohms
Insulation resistance	>5000		Mega-Ohms
Cable length	1.0		m
Cable type	4 wire, PVC, single floating screen		Standard
Construction	Plated (Anodized) aluminum		
Environmental protection	IP65 (3)		
Platform size (max)	350 x 350		mm
Recommended torque	7.0		N*m

**Notes**

- (1) 1030 is a non-balanced bridge load cell
- (2) 2kg is not OIML approved
- (3) IP67 available upon request

**WIRING SCHEMATIC DIAGRAM**  
(unbalanced bridge configuration)



## Disclaimer

All product specifications and data are subject to change without notice.

Vishay Precision Group, Inc., its affiliates, agents, and employees, and all persons acting on its or their behalf (collectively, "Vishay Precision Group"), disclaim any and all liability for any errors, inaccuracies or incompleteness contained herein or in any other disclosure relating to any product.

Vishay Precision Group disclaims any and all liability arising out of the use or application of any product described herein or of any information provided herein to the maximum extent permitted by law. The product specifications do not expand or otherwise modify Vishay Precision Group's terms and conditions of purchase, including but not limited to the warranty expressed therein, which apply to these products.

No license, express or implied, by estoppel or otherwise, to any intellectual property rights is granted by this document or by any conduct of Vishay Precision Group.

The products shown herein are not designed for use in medical, life-saving, or life-sustaining applications unless otherwise expressly indicated. Customers using or selling Vishay Precision Group products not expressly indicated for use in such applications do so entirely at their own risk and agree to fully indemnify Vishay Precision Group for any damages arising or resulting from such use or sale. Please contact authorized Vishay Precision Group personnel to obtain written terms and conditions regarding products designed for such applications.

Product names and markings noted herein may be trademarks of their respective owners.